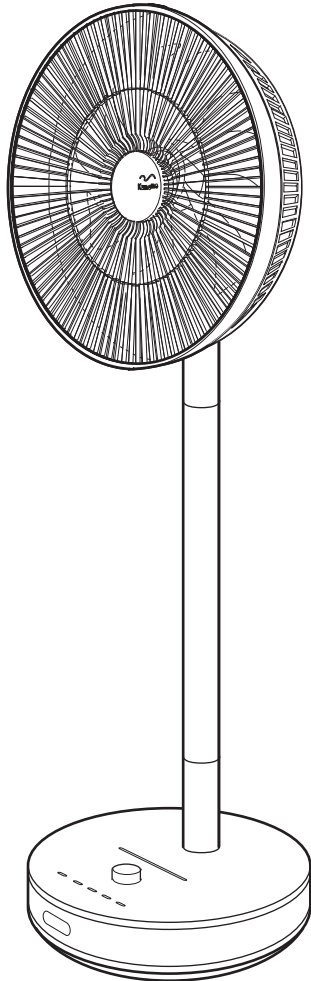


User manual



Thank you very much for choosing our product. Please read the User manual carefully in order to use this product correctly. Please keep this User manual properly after reading.

※ Some parts of the product need to be assembled by the customer.

[This products is for indoor use only]

Contents



Safety Precautions	P1-P2
Name of Parts and functions	P3
Preparation before Use	P4-P5
How to use	P6-P9
Maintenance and Storage.....	P10-P11
Troubleshooting.....	P12

- This design and specifications of the product may be modified without prior notice.
- The diagram and illustrations in this user manual are for reference only, the actual product is subject to manufacturer specifications.



Power supply	DC24V, dedicated AC adapter
Power consumption	23W (when using a dedicated AC adapter)
Voltage	220V
Frequency	50Hz
Cable length of AC adapter	About 1.8m
Dimensions	Width 34 × Length 28.5 × Height 57 cm (when tube removed) Height 100 cm (when tube assembled)
Net Weight	About 4.0kg (excluding the remote control and AC adapter)
Remote Control Battery	Lithium Battery (CR-2025)

Safety Precautions









- Please read Safety Precautions carefully in order to ensure proper use
- Please read and abide by the critical safety information listed in this section carefully
- Please keep it properly after reading

 Warning	Incorrect operation may cause a risk of death or serious injury
 Attention	Incorrect operation may cause personal injury or property damage (including residence, family properties, livestock and pets)

Meaning and example icon symbols

	⊘ indicates “prohibited”. The specific prohibited content will be shown with picture and text inside and beside ⊘. (The picture on the left indicates “Disassembly prohibited”)
	● indicates “mandatory”. The specific mandatory content will be shown with picture and text inside and beside ●. (The picture on the left indicates that “the power plug must be pulled out from the socket”)

Warning

 Prohibited	Do not connect this product to power supply excepted rated voltage and rated frequency	 Prohibited	Do not insert metal objects such as pins and wires into the gaps in the main unit. It may cause electric shock and personal injury	 Unplug	Be sure to disconnect the AC adapter out of the socket when not in use. It may cause electric shock, electric leakage, or fire due to insulation deterioration.
	Do not use devices other than those provided with dedicated AC adapters It may cause electric shock and fire		In the event of an abnormality (e.g. burnt smell, smoke), unplug the AC adapter immediately and stop using it. It may cause fire or electric shock		For maintenance, remove the AC adapter from the socket. Failure to remove it may cause electric shock, fire, or personal injury.
	Do not connect AC adapter to socket when cleaning or maintenance. It may cause fire, electric shock, or personal injury.	 Prohibited	Please insert the AC adapter fully into the socket. Failure to fully insert may cause electric shock, short circuit and fire.	 Disassembly prohibited	Disassembly prohibited. Only qualified personnel are allowed to carry out repairs. It may cause fire, electric shock, personal injury, and other safety accidents. For repairs, please consult the sales office or Shun Hing Electric Service Center Ltd.
	Do not damage, process, bend, pull, twist, or bundle the power cord, and do not put any heavy object on the cord and pinch it. It may cause fire or electric shock.		Clean the dust adhering to the pins and mounting surfaces of the AC adapter. Inserting AC adapter with dust attached may cause safety accidents such as short circuit and fire.		 Wet hands prohibited
	Do not damage the power cord and AC adapter, and do not use the device before the plug is properly inserted into the socket It may cause electric shock, short circuit and fire		 Instruction	After maintenance, fully secure the blades and protective cover. If it is not fully tightened or properly installed, it may result in safety accidents such as personal injury and device failure.	 Water prohibited
	Do not operate without the blades and protective covers It may cause personal injury and device failure	If the battery liquid leaked from the remote control and accidentally enters into the eyes, do not rub. Rinse immediately with cool water and go to the hospital. It may cause blindness or visual impairment.			
	Do not expose the product to children, or use it in any place that the children can access It may cause electric shock and personal injury				



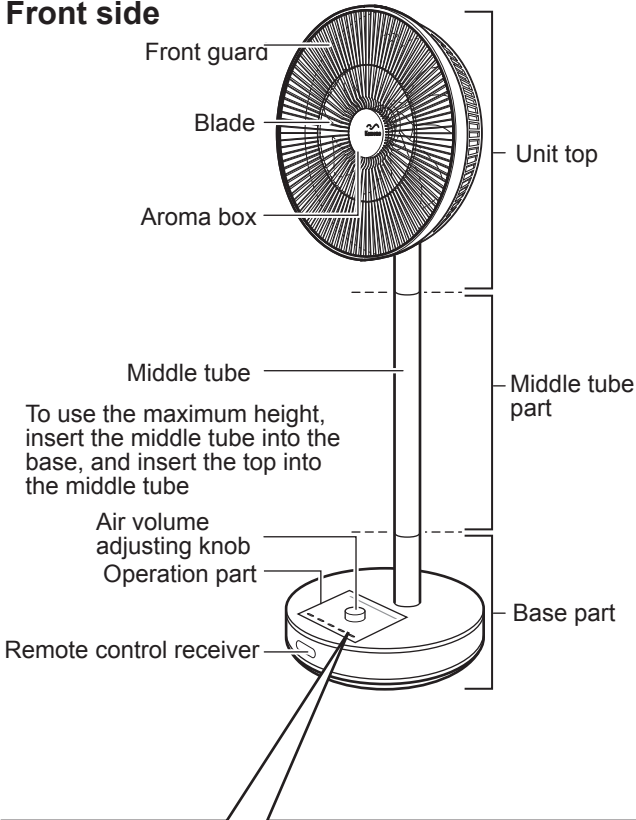
Attention

 Instruction	<p>When unplugging the AC adapter, be sure to hold the AC adaptor instead of the power cord. It may cause electric shock, short circuit, or break off the power cord.</p>	 Prohibited	<p>Do not use a battery other than specified. It may cause liquid leakage.</p>	 Prohibited	<p>Do not get your hair too close to the device. It may cause personal injuries due to hair being caught.</p>
	<p>Please confirm the positive and negative poles of battery in the remote control. Incorrect installation of positive and negative poles will not only cause device failure, but may also cause safety accidents due to liquid leakage and battery rupture.</p>		<p>Do not place the battery of the remote control in a hot place where there is direct sunlight. It may cause liquid leakage, battery rupture, fire and other safety accidents.</p>		<p>Do not use in the following places.</p> <ul style="list-style-type: none"> ● Near stoves and other fire sources ● Places with flammable gas ● Places that can be splashed by rain and water <p>It may cause discoloration, deformation, flame extinguishing, fire, electric shock and other safety accidents.</p>
	<p>Take the battery out of the remote control if it won't be used for a long time. If the device is left unused for an extended period of time with battery installed, internal contamination may be caused by liquid leakage, and safety accidents such as fire and personal injury may occur due to battery rupture.</p>		<p>Do not blow directly to the body for a long time. It may cause harm to your health.</p>		<p>Do not use household cleaners, thinners, gasoline, alcohol or abrasive powder for cleaning. It may cause discoloration, deformation, electric shock or device failure.</p>
	<p>When disposing of the remote control, be sure to remove the battery. Disposal of the remote control directly with battery installed may cause an accident. Please dispose of the battery as required by local government.</p>		<p>Do not drag the main unit. It may damage the floor.</p>		<p>Do not forcibly turn the main unit to the front while it is swinging. It may cause device damage, malfunction or noise.</p>
	<p>While installing the unit top, middle tube and base part of the product, be careful to prevent pinching the fingers. It may cause safety accidents such as personal injury.</p>		<p>Do not insert your fingers into the guard or any moving parts. It may cause safety accidents such as personal injury.</p>		
	<p>Do not use in an unstable place. It may cause personal injury, device failure and other safety accidents.</p>				

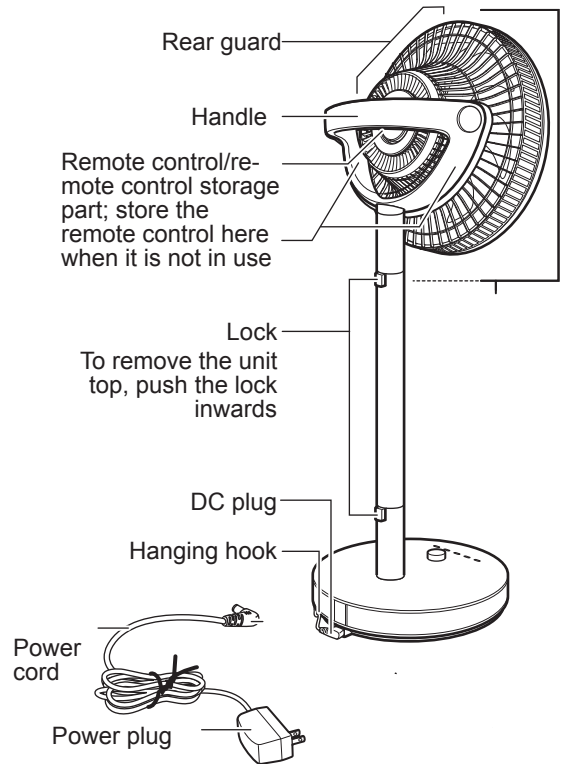
- This appliance is not intended for use by persons (including children) with reduced physical, sensory or mental capabilities, or lack of experiences and knowledge, unless they have been given supervision or instruction concerning use of the appliance by a person responsible for their safety.
- Children should be supervised to ensure that they do not play with the appliance.
- The appliance is only to be used with the power supply unit provided with the appliance.
- The appliance must only be supplied at safety extra low voltage corresponding to the marking on the appliance.

Name of Parts and Function

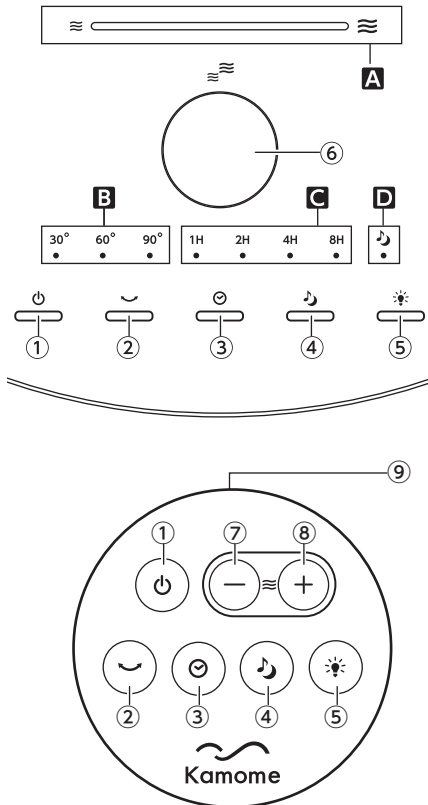
Front side



Rear side



Operation part



- A Air volume indicator**
Indicates the air volume; when the air volume increases, the light turns on from left to right
- B Swing display**
When swing function is enabled, The light of corresponding swing angle turns on.
- C Timer display**
Display the remaining time before the schedule on/off function starts.
- D Natural/sleep wind display**
The white light turns on in natural wind mode and the blue light turns on in sleep wind.
- ① **Power button**
Start/stop running
- ② **Swing button**
Start/stop swing
- ③ **Timer button**
Set the time for schedule power on/off
- ④ **Natural/sleep wind button**
Switch between natural wind and sleep wind
- ⑤ **Dimmer button**
Enable or disable dimmer mode
- ⑥ **Air volume adjusting knob**
Adjust the air volume during running
- ⑦ **Air volume - button (remote control)**
Reduce the air volume during running
- ⑧ **Air volume + button (remote control)**
Increase the air volume during running
- ⑨ **Signal receiver (remote control)**
Point the remote control at the signal receiver

Preparation before Use

Packing List

After you purchase, please confirm if the following accessories are complete

Base part.....1	Remote Control.....1
Unit top (with aroma lid)1	Coin lithium battery (CR2025 • separate plastic bag packaging).....1
Middle tube.....1	Aroma cotton (1 in aroma box).....1
Dedicated AC adapter.....1	User Manual (including Warranty Card)1

※ Do not throw away the packaging materials after assembly, which can be used to store the product after use.

Warning	Do not turn on the power before the blades and guards are installed
Attention	Plug the AC adaptor into the socket only when the blades and guards have been properly installed

Installation and Setup

1. Assembly of base, middle tube and unit top
The middle tube can be removed or installed, and the height can be adjusted freely.

■ **When the product height needs to be increased**

- ① Put the base on a stable position
- ② Insert the middle tube into the base
- ③ Insert the unit top into the middle tube


※ In steps ② and ③, please note the mounting direction of the middle tube and unit top.

■ **When the product height needs to be decreased**

- ① Put the base on a stable position
 - ② Insert the unit top into the base
- ※ Please note the mounting direction of the base and unit top

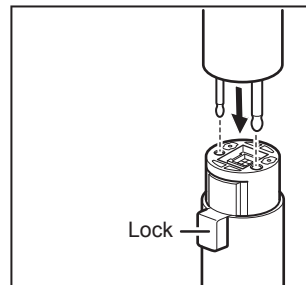
※ Please keep the middle tube properly when it is not in use

※ Press the lock button and key to remove the unit top and middle tube

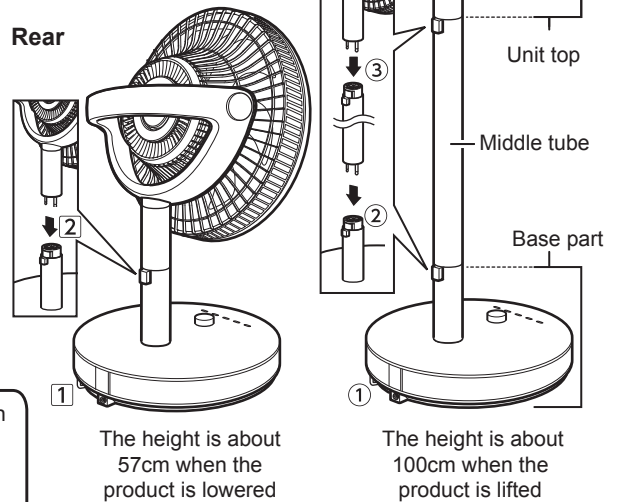


There should be no gaps between the connection parts. Pull slightly to confirm if the connection is proper.
If the installation is not firm, the fan may shake during running, which may lead to falling, drop and other failures.
The product may drop when you hold the handle with your hands.

«Enlarged View of Connection»



Confirm the rod and hole size first, and insert the rods into the holes at the same time

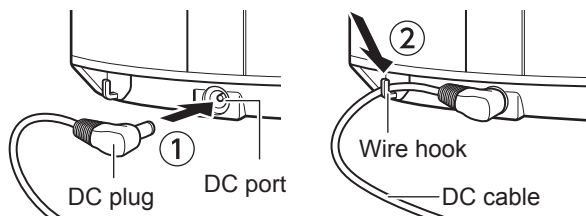


2. Please use on a stable level surface
Please hold the handle to move the product

Preparation before Use

3. Use a dedicated AC adapter

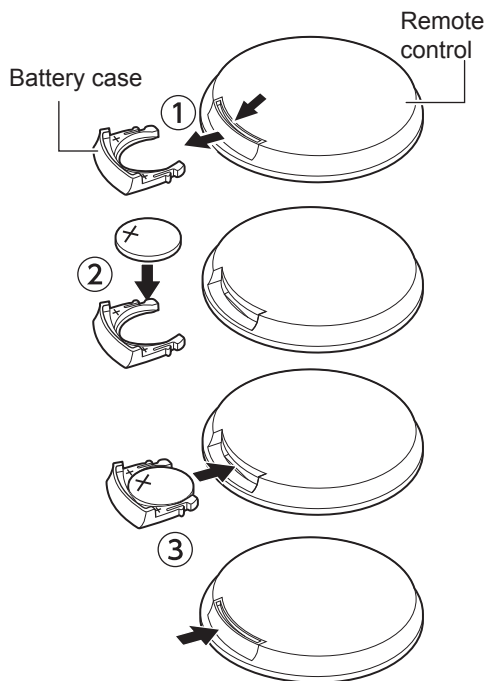
- ① Please insert the DC plug of the AC adapter is into the DC port on the back of the base.
- ② In order to avoid falling of DC line, be sure to hang the DC wire to the hook of the base.



 Warning	<p>DC line of the AC adapter must be hung to the hook of the base. If not, the DC terminal is easy to fall off and can easily cause fire, accident and malfunction.</p>
--------------------	---

4. Installation of Battery

- ① Pull out the battery case from the main body of the remote control and pull out the battery holder from the gap
- ② Insert into the coin lithium battery; keep the positive pole upwards
- ③ Insert the battery case into the remote control until there is a “click” sound



 Warning	<ul style="list-style-type: none"> • If the remote control won't be used for a long time, remove the battery • The positive and negative terminals of the battery must be installed correctly • Do not charge, short circuit, disassemble or heat the battery. • In the event of battery leakage, wipe clean and load a new battery before use
--------------------	--

When the remote control is not in use

- ④ Please place the remote control in th storage position behind the guard.
The remote control and the storage position integrate magnet to snap the remote control.

Possible range of use

- About 5m in front of the main body
- About 30° on the left and right of the main body
- When there is an obstacle between the remote control and the main body, the normal action of the remote control may be affected.

 Warning	<p>Please pay special attention that the remote control has a magnet inside. Do not place the remote control in chest pocket if you are using a cardiac pacemaker; do not put the remote control together with weak magnetic objects (e.g. magnetic card)</p>
--------------------	---

5. When the power plug is inserted into the power socket, the product emits a “bibi” sound.

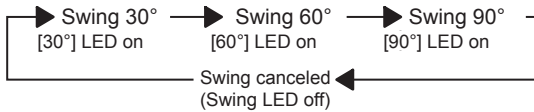
How to use

4. Start /stop swing

The swing angle can be set to 30°, 60° or 90°.

- When you insert the DC plug into the unit and press the Swing button, the 30° LED turns on and the fan starts swing.

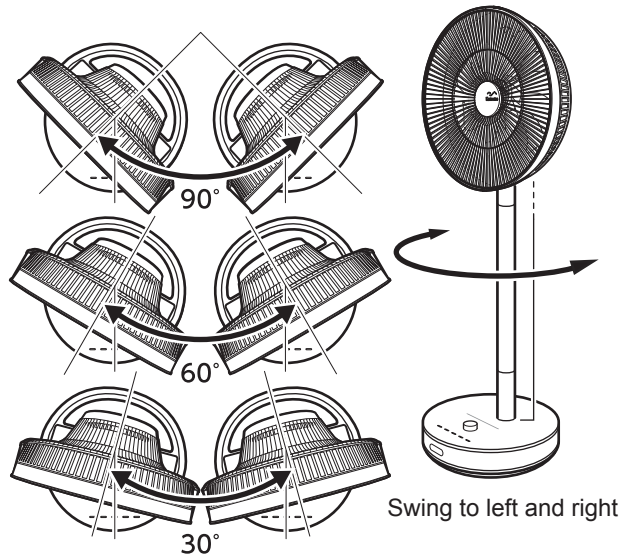
After the angle is set, the fan needs some time to reset before starting to swing.



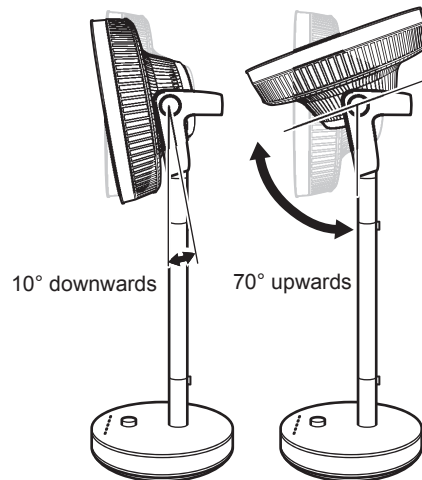
The swing angle can be manually adjusted by 70° upwards, 10° downwards and 60° horizontally

5. Enabling/disabling dimmer mode

If the air volume indicator or LED light is too bright, you can press the Dimmer button on the unit or the remote control to dim the light indicator and LED light; press it again to cancel dimmer function.



Adjust the angle upwards/downwards
Adjust by 10° downwards and 70° upwards.




How to use

Timer Setting


Off timer

You can set the off timer and the fan stops automatically after the set time.

1. When the fan is running, you can press the timer button  to set the off timer.


When the fan is running, you can press the  button on the unit or remote control to set the timer and the red LED turns on.

Press the  button on the unit or remote control to set the time of schedule operation.

2. To cancel the timer, press the  button on the unit or remote control and the timer LED turns off.

On timer

You can set the on timer and the fan starts automatically after the set time.

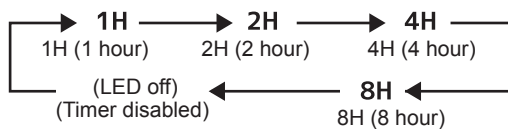
1. When the fan is stopped, you can press the timer button  to set the on timer and the green LED turns on.

- The product integrates memory function, and the air volume LED and swing LED of last mode will flash.
- The time of on timer displays in the on timer setting menu.

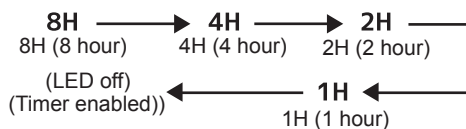
About timer LED

Timer LED

When you press the Timer button on the unit or the remote control, the timer LED changes as follows.



After setting the off/on timer, the LED changes with time. The timer shows the time when the operation stops



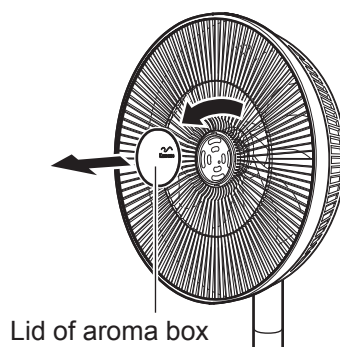
The LED is red when the off timer is enabled and green when the on timer is enabled.

Off timer and on timer can't be enabled at the same time.

How to use

Use of aroma oil

1. Remove the lid of the aroma box from the center of front guard, turn the front lid anti-clockwise and take it out.
2. Take out the filter, drip the essential oil on the filter, and install the front lid of the aroma box.
3. Turn to left and take out the filter cover from the aroma box. Make sure that the filter is installed. Drip 2-3 drops of aromatic or natural essential oil sold on the market. Be careful not to drip to the outside.
4. Install the filter cover, and put the front lid of the aroma box back into place. When installing the filter cover, place it in the front lid of the aroma box and turn clockwise. Then put the front lid back on the front guard and turn clockwise.
5. Start work. Please follow the procedure of [Start/Stop] on page 6. You can enjoy the fragrant wind.



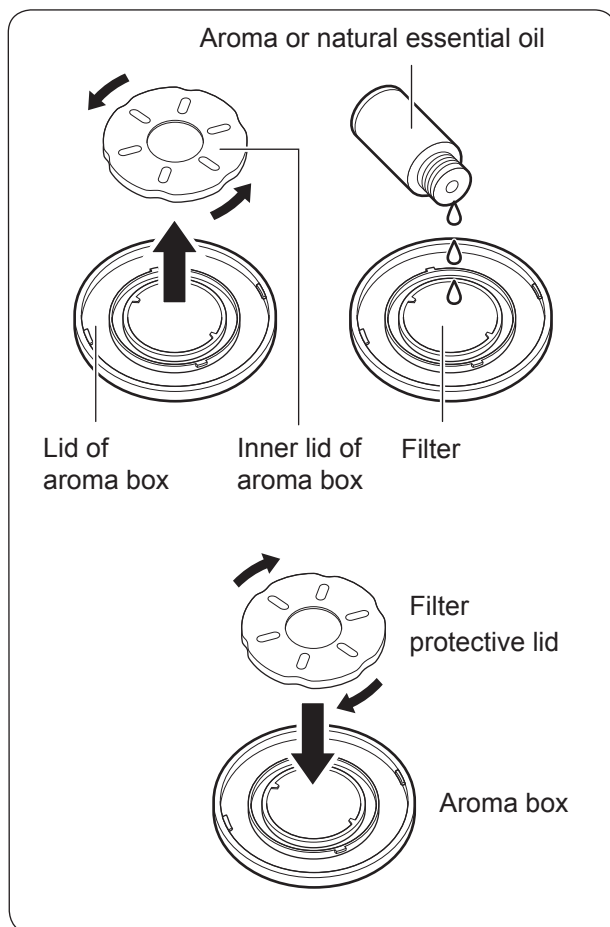
Filter replacement

- ※ If the aroma oil filter is dirty or aroma oil of different type is replaced, please replace the filter.
- ※ To replace the filter, turn the filter cover to left, and then take out the filter.
- ※ In addition to the filter inside the box, we also provide 3 replacement filter; do not re-use the filter after cleaning;
- ※ Clean the front lid of aroma box with neutral detergent, fully dry and install according to steps 1~3.

Filter replacement

The filter for replacement are sold separately. Please contact the dealer or Shun Hing Electric Service Center Ltd.

- ※ The replacement during the warranty period is charged as the filter are consumables.



Maintenance and Storage

⚠ Warning

Disconnect the AC adapter from the power socket before maintenance. Avoid electric shock, fire and personal injury.

Note

- Do not use cleaner, thinner, gasoline, alcohol or cleanser.
- Do not wash the unit or dedicated adapter with water (or else it may cause electric shock or malfunction.)

Storage

When the product is not in use, soak a soft cloth in warm water or neutral detergent and wring it dry. Then gently wipe the stain on the product, and then wipe with a dry cloth. (Do not apply too much force on plastic parts, or else it may scratch the surface)

Disassembly of blades

Remove the front grille before removing the blades. It is best to operate with two persons at the same time. One person holds the product and the other removes the grille.

⚠ Warning

The fan must be stopped before removing the fan blades and guard.

⚠ Attention

Do not insert the AC adapter into the socket until the blades and guard are installed properly.

Disassembly of the blades • front guard

1. To remove the front guard, remove the safety screws under the front guard and turn the front guard to the left. See ①

⚠ Attention

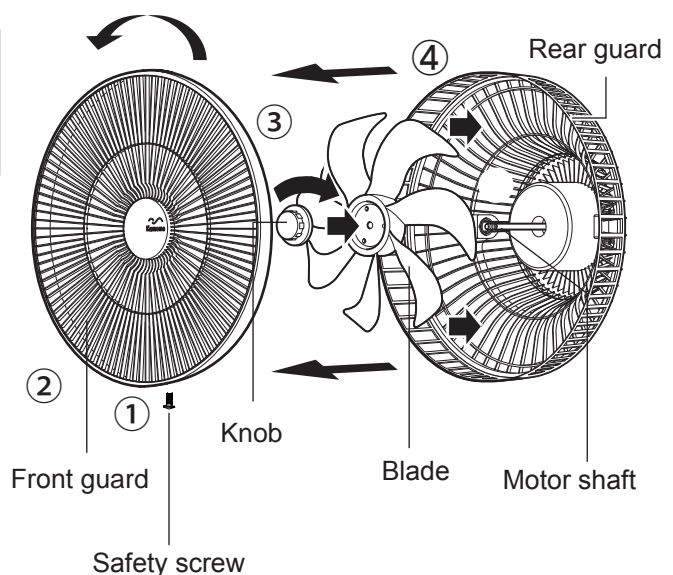
Do not turn the front guard excessively in the opposite direction. This may cause product damage or malfunction.

2. Turn the front guard anti-clockwise to the left and remove it. See ②
3. Hold the blades with your left hand, turn the knob with your right hand, remove the blade knob and then remove the blades.

The structure of the knob is different from that of the ordinary rotating components.

Contrary to ordinary rotating direction, anti-clockwise rotation is to tighten and clockwise rotation is to disassemble.

- ※ Rear guard can't be disassembled as there are lines inside.
- ※ Please be sure to store in a dry environment.



Assembly of the blades • front guard

1. Align the blade to the motor shaft and install it.
See Fig. ①

Align the center of the blade with the center of the motor shaft and insert the blade into the root of the motor shaft.

2. Hold the blade with your left hand, and align the blade center with the motor shaft and turn to the left with right hand to fix the blade. See Fig. ②
3. Align the recess of front guard with the U-shaped print on rear guard.

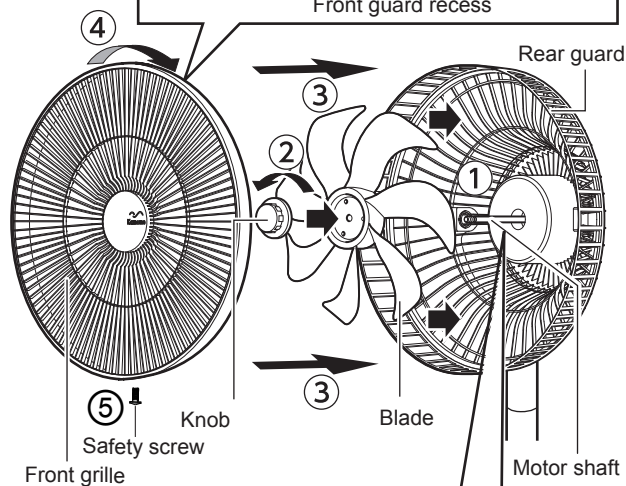
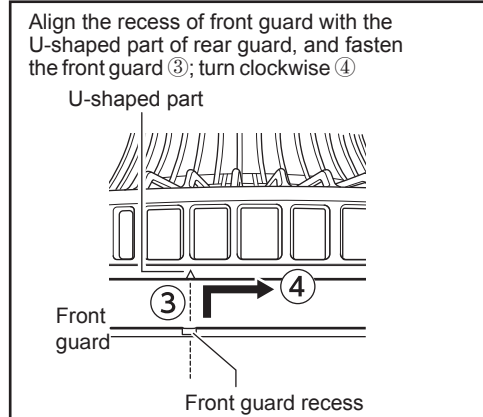
Fasten the front guard to the rear guard.
See Fig. ③

4. Rotate the front guard to the right. See Fig. ④

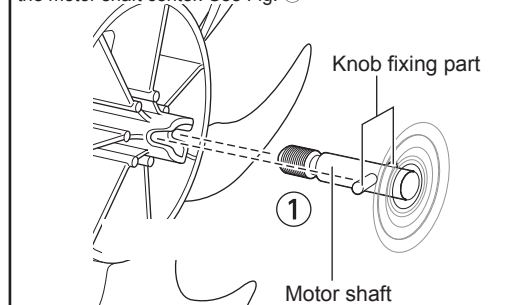
Turn the front guard to the right until it is locked, and then lock the safety screws.

There will be abnormal noise if the front guard is not locked.

5. Lock safety screws of guard. See Fig. ⑤



When the blades are assembled, align the blade center with the center of the motor shaft, and insert the blade into the motor shaft center. See Fig. ①



⚠ Attention

Do not rotate the front guard vigorously in the opposite direction.
Damage or malfunction may occur.

Storage method

- After disassembling, please clean and dry the parts.
- Put the dried parts in a plastic bag and put it in the packing box.
- Before packing, adjust the unit top to the front.
- When it is not in use for a long time, take out the battery of the remote control.

Troubleshooting

When the product fails, please check if the product has any of the following symptoms before sending it for repair. Do not disassemble and repair without permission.

Problem	Cause	Solution
Blades won't turn	<ul style="list-style-type: none"> The blades are not properly installed The blades are stuck by the guard 	Install blades and guard properly as described on page 11 [Assembly of blades • grilles]
	<ul style="list-style-type: none"> The fan • middle tube • base are not properly installed 	Refer to page 4 and reinstall fan • middle tube • base properly
	<ul style="list-style-type: none"> AC adapter falls off the DC port 	Plug AC adapter into the DC port (page 5)
	<ul style="list-style-type: none"> Power plug falls off the socket 	Reinsert the power plug (page 5)
Running stops suddenly	<ul style="list-style-type: none"> There is no operation in 12 hours and the auto-off function is activated (pages 7 & 8) 	The Power button on the unit or the remote control is pressed by mistake
Air volume light band or indicators are dark	<ul style="list-style-type: none"> Dimmer mode is set 	Cancel dimmer mode (page 7)
Loud noise during running	<ul style="list-style-type: none"> The blades are installed properly The blades are stuck by the guard The guard isn't installed properly 	Install blades and guard properly as described on page 11 [Assembly of blades • grilles]
	<ul style="list-style-type: none"> Blade knob is loose; 	Tighten the knob as described on page 11 [Assembly of blades • grilles]
The swing angle is greater than set or normal operation starts after a certain period when the swing button is pressed	<ul style="list-style-type: none"> This is not a failure The tube first turns to the left for 45° from the stop position and looks for the center 	Please wait for the swing to resume normal
Remote operation invalid	<ul style="list-style-type: none"> The battery voltage is low. 	Replace the battery (page 5)
	<ul style="list-style-type: none"> The battery is loaded incorrectly 	Install the battery properly (page 5)
	<ul style="list-style-type: none"> The remote control doesn't point at the receiver Too far away from the receiver 	Point at the receiver Operate in effective range (page 5)

Fans not used for long term should be carefully inspected.

Is there any such situation?	
<ul style="list-style-type: none"> Power cord, plug or AC adapter heats up abnormally. 	Please cut off the power, unplug the power cord and contact the dealer or Shun Hing Electric Service Center Ltd.
<ul style="list-style-type: none"> The power is connected and disconnected repeatedly 	
<ul style="list-style-type: none"> Burning smell 	
<ul style="list-style-type: none"> Other abnormalities • failures 	